

H-Blei, Fensterblei, flach
Lead came, H, flat

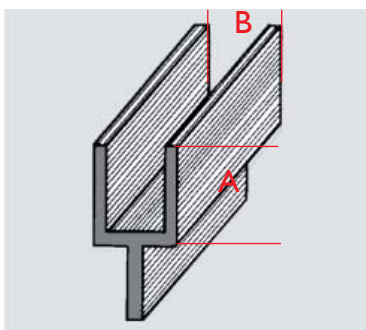
A x B 50 kg 2 m

4 x 4,0 mm	42 120 00	42 120 01
6 x 5,0 mm	42 121 00	42 121 01
6 x 4,0 mm	42 122 00	42 122 01
5 x 4,5 mm	42 128 00	42 128 01
8 x 4,0 mm	42 124 00	42 124 01
8 x 5,0 mm	42 125 00	42 125 01
8 x 4,5 mm	42 126 00	42 126 01
10 x 4,0 mm	42 127 00	42 127 01
10 x 4,5 mm	42 129 00	42 129 01
15 x 5,0 mm	42 132 00	42 132 01

H-Blei, Fensterblei, rund
Lead came, H, round

A x B 50 kg 2 m

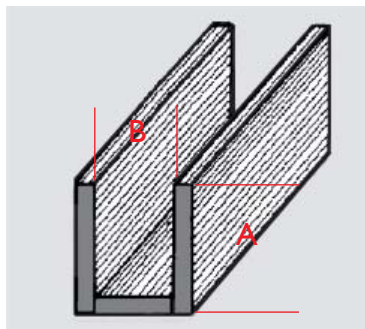
6 x 4,0 mm	42 156 00	42 156 01
8 x 4,0 mm	42 158 00	42 158 01



U-Blei, Randblei, flach mit Steg
Lead came, U flat, f-bone

A x B 50 kg 2 m

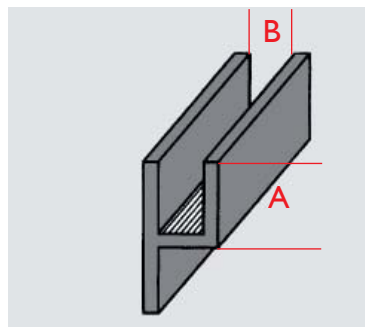
8 x 4,0 mm	42 118 00	42 118 01
------------	-----------	-----------



U-Blei, Randblei, flach
Lead came, U, flat

A x B 50 kg 2 m

4 x 4,0 mm	42 104 00	42 104 01
6 x 4,0 mm	42 106 00	42 106 01
8 x 4,0 mm	42 108 00	42 108 01
10 x 4,5 mm	42 109 00	42 109 01
5 x 4,0 mm	42 114 00	42 114 01



U-Blei, Randblei, mit Steg einseitig
Lead came, U, flat boneside

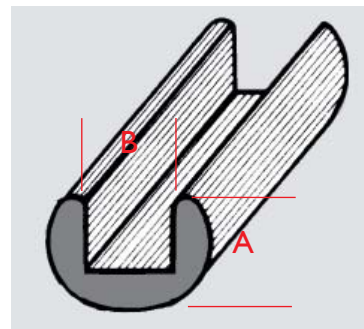
A x B 50 kg 2 m

8 x 4,0 mm	42 119 00	42 119 01
8 x 5,0 mm	42 119 50	42 119 51

Neusilbersprosse, halbrund
Silver plated lead, round

A x B 2 m

H-Blei		
6 x 4 mm	42 170 00	
U-Blei		
6 x 4 mm	42 174 00	



U-Blei, Randblei, rund
Lead came, U, round

A x B 50 kg 2 m

4 x 3,5 mm	42 141 00	42 141 01
4 x 3,0 mm	42 142 00	42 142 01
2 x 3,5 mm	42 143 00	42 143 01
6 x 4,0 mm	42 144 00	42 144 01
8 x 4,0 mm	42 146 00	42 146 01
4 x 4,0 mm	42 148 00	42 148 01



42 100 00
Randblei Rolle, rund
Lead came, roll, U, round

U-Blei, Randblei Rolle, rund
Lead came, roll, U, round

A x B

2,0 x 3,5 mm	7,5 kg	42 100 00
2,5 x 3,5 mm	7,5 kg	42 100 10
2,5 x 3,5 mm	5 m	42 101 00
4,0 x 3,5 mm	7,5 kg	42 100 15

